

Building Connections That Last™



Sharpe® Series 10A

Two-Piece Brass Ball Valve
Datasheet



Two-Piece Brass Ball Valve Sharpe® Series 10A



Design Features

- Two-Piece Brass Ball Valve
- 600 PSI CWP (1/4" - 2")
- 400 PSI CWP (2 1/2" - 4")
- 75 PSI Saturated Steam
- FNPT x FNPT Threaded Ends
- Full Port/Bore
- Blowout-Proof Stem
- Adjustable Packing Nut
- Lockable Lever Handle

Applicable Standards

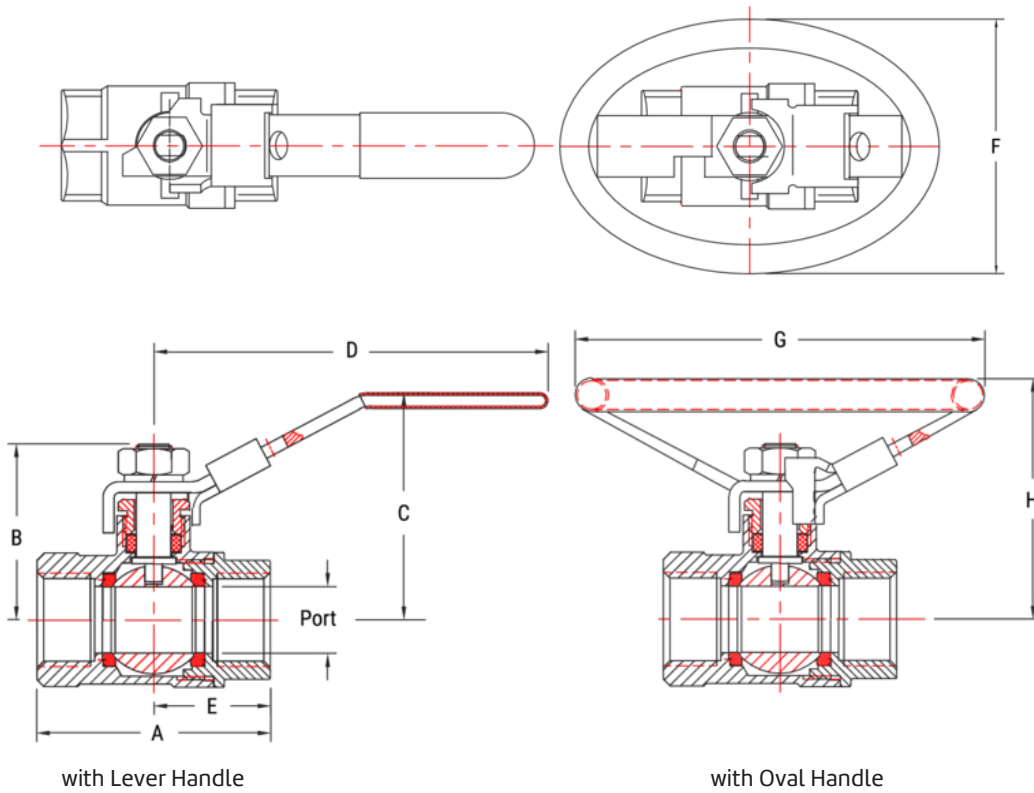
- Basic Design MSS-SP-110
- Threaded Ends ASME B1.20.1

Options

- Lockable Oval Handle (1/4" - 2")



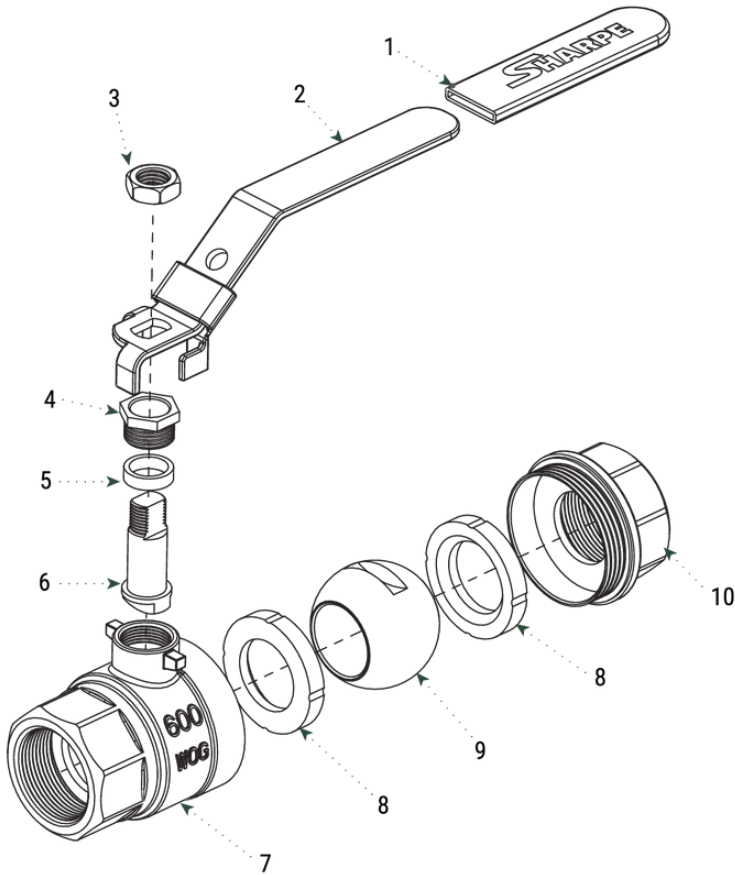
Two-Piece Brass Ball Valve
Sharpe® Series 10A



Dimensions (Inches)

Size	Port	A	B	C	D	E	F	G	H
1/4	0.39	1.76	1.29	1.74	3.54	0.88	3.01	4.72	2.47
3/8	0.39	1.76	1.29	1.74	3.54	0.88	3.01	4.72	2.68
1/2	0.58	2.05	1.56	1.95	3.54	1.02	3.01	4.72	2.68
3/4	0.75	2.36	1.72	2.17	4.02	1.18	3.01	4.72	2.87
1	0.95	2.76	1.96	2.58	4.92	1.38	3.01	4.72	3.10
1 1/4	1.26	3.31	2.42	3.07	5.12	1.65	3.47	5.85	3.74
1 1/2	1.58	3.66	2.82	3.41	6.30	1.83	3.47	5.85	4.17
2	1.97	4.18	3.15	3.74	6.30	2.09	3.47	5.85	4.51
2 1/2	2.52	5.38	3.90	5.16	8.86	2.69	-	-	-
3	2.94	6.04	4.29	5.47	8.86	3.02	-	-	-
4	3.94	7.39	5.19	6.28	9.65	3.69	-	-	-

Two-Piece Brass Ball Valve Sharpe® Series 10A



Parts & Materials

No.	Part Name	Material.	Qty.
1	Handle Sleeve	PVC	1
2	Handle	Zinc Plated Steel	1
3	Handle Nut	Steel	1
4	Packing Nut	Brass	1
5	Stem Packing	PTFE	1
6	Stem	Brass	1
7	Body	Forged Brass	1
8	Seat	PTFE	2
9	Ball	Chrome Plated Brass	1
10	End Piece	Forged Brass	1

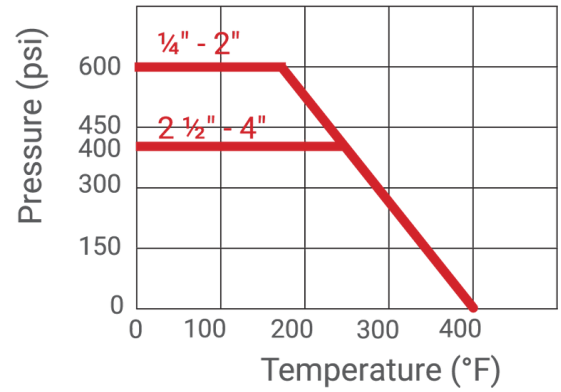
Two-Piece Brass Ball Valve
Sharpe® Series 10A



Technical Information

Size	C _v	Weight (lbs.)
1/4	5	0.37
3/8	5	0.33
1/2	24	0.49
3/4	35	0.67
1	47	1.16
1-1/4	81	1.67
1-1/2	105	2.84
2	240	4.43
2-1/2	320	8.58
3	580	10.17
4	970	20.02

Pressure - Temperature Ratings

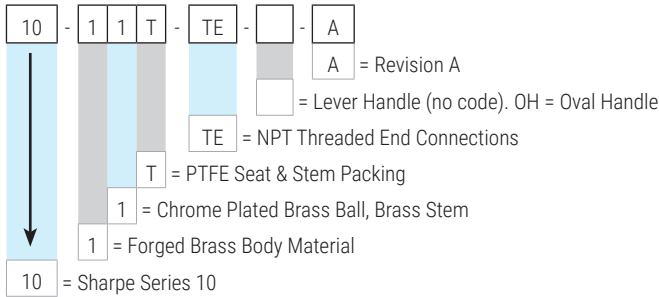


Two-Piece Brass Ball Valve

Sharpe® Series 10A



How to order Series 10A



with Lockable Lever Handle			
Size	PSI CWP	10-Digit ↓	Configuration
1/4"	600	4351020200	1/4" 10-11T-TE-A
3/8"	600	4351020202	3/8" 10-11T-TE-A
1/2"	600	4351020204	1/2" 10-11T-TE-A
3/4"	600	4351020206	3/4" 10-11T-TE-A
1"	600	4351020208	1" 10-11T-TE-A
1 1/4"	600	4351020210	1 1/4" 10-11T-TE-A
1 1/2"	600	4351020212	1 1/2" 10-11T-TE-A
2"	600	4351020214	2" 10-11T-TE-A
2 1/2"	400	4351020216	2 1/2" 10-11T-TE-A
3"	400	4351020218	3" 10-11T-TE-A
4"	400	4351020220	4" 10-11T-TE-A

with Lockable Oval Handle			
Size	PSI CWP	10-Digit ↓	Configuration
1/4"	600	4315020200	1/4" 10-11T-TE-OH-A
3/8"	600	4315020202	3/8" 10-11T-TE-OH-A
1/2"	600	4315020204	1/2" 10-11T-TE-OH-A
3/4"	600	4315020206	3/4" 10-11T-TE-OH-A
1"	600	4315020208	1" 10-11T-TE-OH-A
1 1/4"	600	4315020210	1 1/4" 10-11T-TE-OH-A
1 1/2"	600	4315020212	1 1/2" 10-11T-TE-OH-A
2"	600	4315020214	2" 10-11T-TE-OH-A

Note:
Responsibility for proper selection, use and maintenance of any product remains solely with the purchaser and end user. We reserve the right to modify or improve the designs or specifications of any product, at any time without notice.

About ASC Engineered Solutions

ASC Engineered Solutions is defined by quality—in its products, services and support. With more than 1,400 employees, the company's portfolio of precision-engineered piping support, valves and connections provides products to more than 4,000 customers across industries, such as mechanical, industrial, fire protection, oil and gas, and commercial and residential construction. Its portfolio of leading brands includes ABZ Valve®, AFCON®, Anvil®, Anvil EPS, Anvil Services, Basic-PSA, Beck®, Catawissa, Cooplet®, FlexHead®, FPPI®, Gruvlok®, J.B. Smith, Merit®, North Alabama Pipe, Quadrant®, SCI®, Sharpe®, SlideLOK®, SPF® and SprinkFLEX®. With headquarters in Commerce, CA, and Exeter, NH, ASC also has ISO 9001:2015 certified production facilities in PA, TN, IL, TX, AL, LA, KS, and RI.



asc-es.com

Building Connections That Last™

FC-DS-Series 10A-v01 20260519

